

Assembly Instructions

Hanging Bracket E



Bluestreakequipment MAGNETICS
APPLICATION DRIVEN DESIGN

Bluestreak Equipment
1645 Hwy #3, Delhi, Ontario, Canada N4B 2W6

Step 1: Unpackage the shipment

Box Contents:

Part #1 – Steel Side Height Adjustment Assembly – 2pcs



Part #2 – 53.5" Steel Tube – 1pc



Part #3 – Steel Chain Tie Offs – 2pcs



Part #4 – 0.5" x 3.5" Bolt w/ lock washer and nut – 8pcs

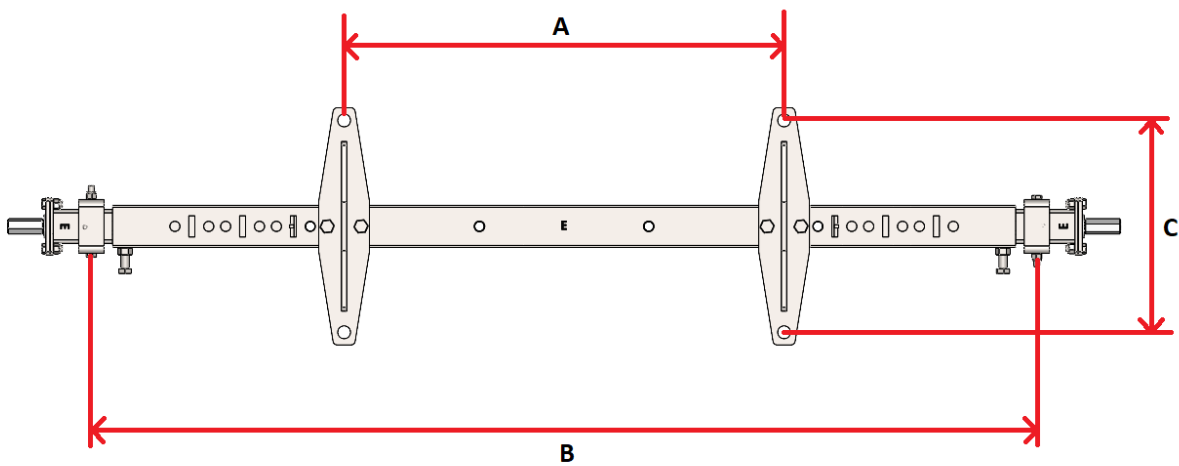


Part #5 – Rope Attachments w/ hardware – 2 sets

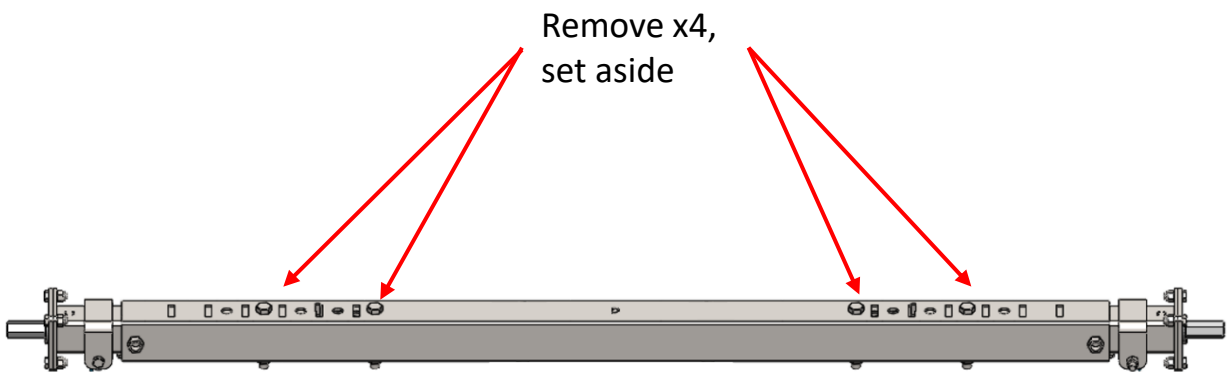


Step 2: Assemble the Bracket

Assemble the Bracket according to the table presented on the last page of this manual. Select the model of Magnetic Sweeper you purchased and assemble the bracket to these dimensions. If the exact measurement is not available adjust to the nearest size. The following sets of pages will go over installation in detail

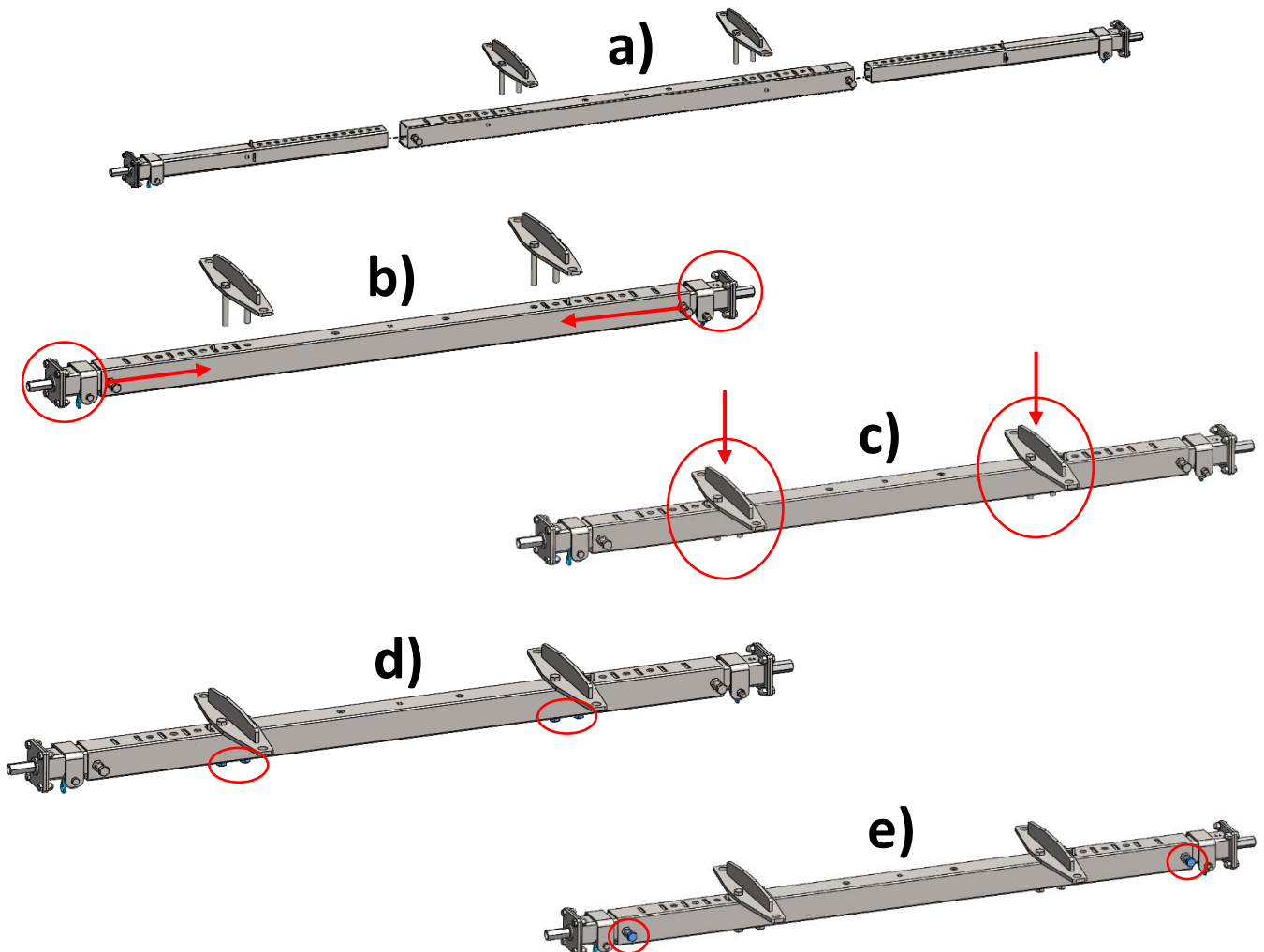


Bracket E is shipped nearly completely assembled. You will have to remove fasteners to adjust the bracket to the size you have purchased.



Step 2, continued

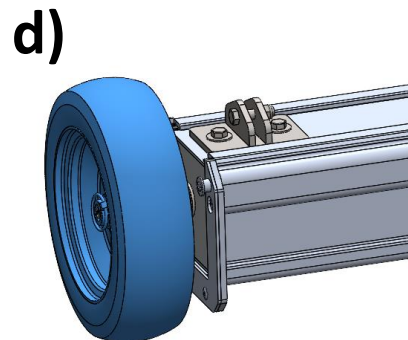
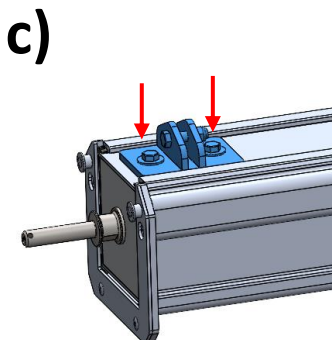
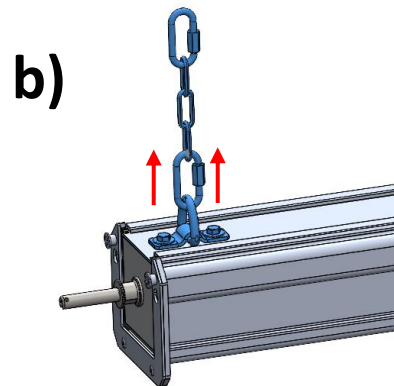
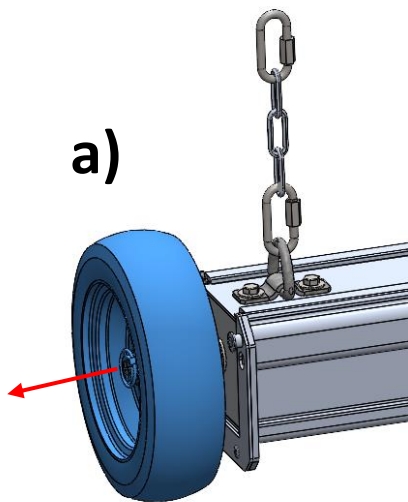
- Critical dimensions for each model are presented on the last page of this manual. Use Dimension B to ensure the lifter assemblies are at the right position.
- Slide a lifter assembly into each end of the center steel tube and ensure the assemblies are in the orientation as shown below.
- Place the steel chain tie offs in position using the slot in the 2.5"x2.5" tube for alignment (corresponding to the correct dimension A) The 0.500" x 3.500" bolts should pass through the lifter assembly as well.
- Tighten the chain hanger assemblies in place by using the supplied ½" lock washer and nut. Tighten fully.
- Tighten the lifter assemblies in place by using the remaining ½" x 1.000" long hex bolts. These bolts do not need to be super tight.



Step 3: Install the rope carriers

Included with Bracket E are 2 sets of rope carriers. These rope carriers are intended to replace the D rings that are installed on the end of the magnet of each applicable product. To install the carriers, follow the series of steps below:

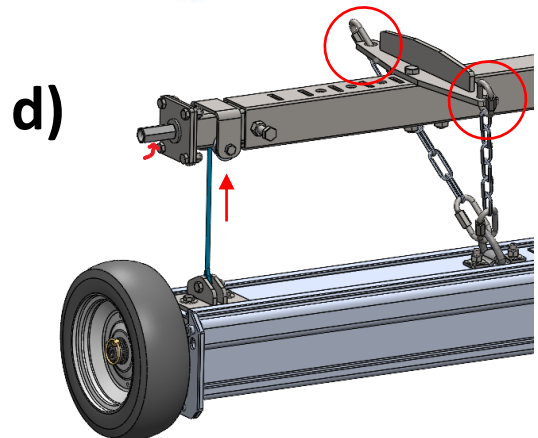
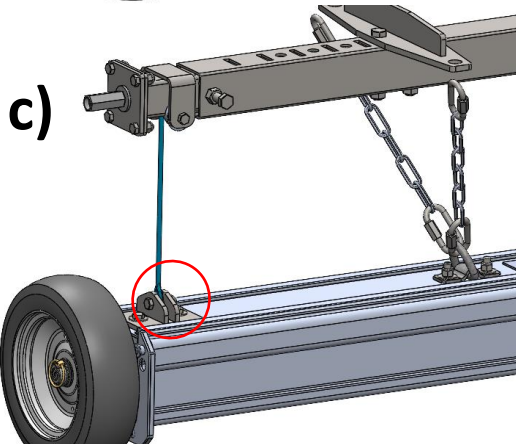
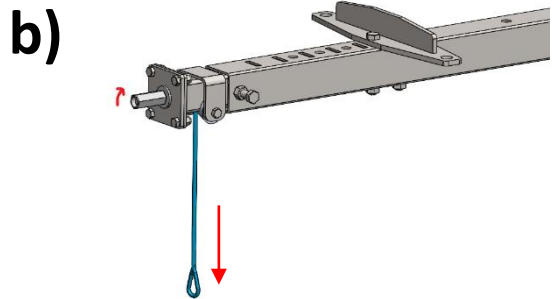
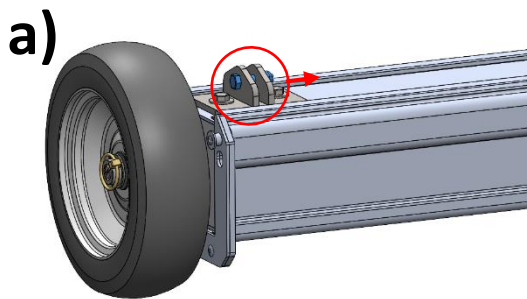
- Remove the wheel bolt retainer, 3/16" lynch pin and wheel from each end of the magnet assembly.
- Remove the D ring assembly from each end of the magnet assembly. Use/ hold on to the wheel bolt when removing the hardware.
- Using the same hardware, install a rope carrier on each end where the D rings used to be. If the holes are not exactly aligned, use the shaft of the wheel bolt to aid in positioning of the holes in the top of the magnet housing.
- Tighten the carrier down fully.



Step 4: Attach the lifter rope

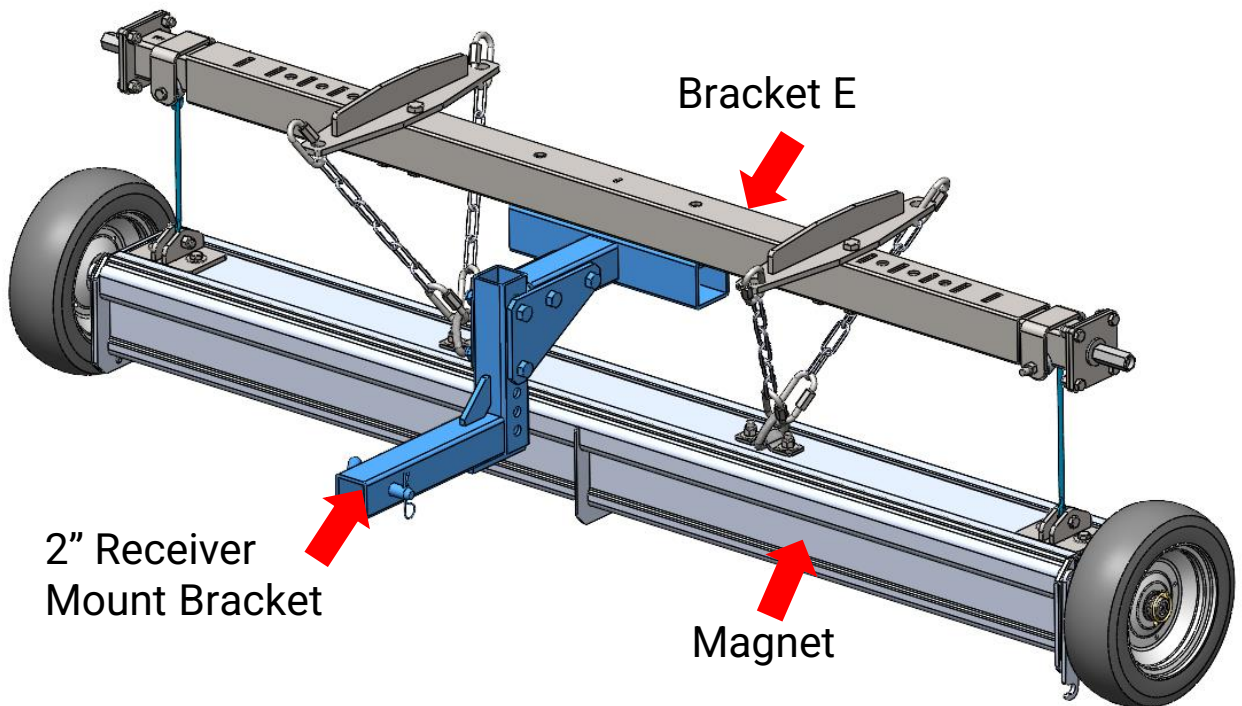
Bracket E features side lifters that can be used to quickly raise and lower the sweeper. Turning the coupler nut on the end of the lifter clockwise will lower the sweeper. Turning the coupler nut counterclockwise will raise the sweeper. It is important to note that the rope should not bear the weight of the assembly when sweeping. It should only be used to raise or lower the sweeper so that the chain the assembly is hanging from can be moved accordingly. After performing any height adjustment, make sure the rope is not loose by hand tightening the coupler nut until all the slack is pulled out from the rope. Installing the rope on the rope carriers can be done by following the set of instructions below:

- Remove the 3/8" x 1.5" bolt in the middle of the carrier.
- Turn the coupler nut clockwise to let out all the rope on the lifter assembly. Always keep tension on the rope to prevent it jamming up inside the tube.
- Insert the rope into the center of the rope carrier, and secure with the 3/8" x 1.5 bolt that was previously removed. Do not overtighten the bolt. Repeat for the other side
- Adjust to the desired sweep height by raising the assembly. Connect the 4 quick links to the chain hangers and then lower the rope so the weight of the assembly is on the outrigger chains. It is always recommended after height adjustment that the rope be tight, but not bearing the weight of the sweeper.



Helpful Tips

A hitch mount accessory is also available to purchase from Bluestreak which makes installation smooth. Alternatively, the bracket can be mounted to the vehicle by way of your own additional fabrication. An illustration is presented below for reference, showing how easy it is to attach to any vehicle with a 2.0/2.5" hitch receiver.



Tip #1: If your magnet appears to be hanging crooked it is possible the Steel Mounting Plates have not been assembled perfectly square. To correct this simply loosen nyloc nuts on the U bolts on each of the 2 Steel Mounting Plates and the problem will correct itself. Retighten the bolts previously loosened.

If the problem still exists it may be possible 1) your chains are not the same length 2) There is a twist in one or more of the chains (this changes the length) 3) The chains are not uniformly connected at all ends (all 4 chains need to be the same length and have the same orientation)

Helpful Tips

All magnets should primarily be suspended with 4 chains from the Steel Mounting Plates as shown below. Wheeled sweepers are typically recommended to have the wheels set up $\frac{1}{2}$ "- $\frac{3}{4}$ " off the ground.

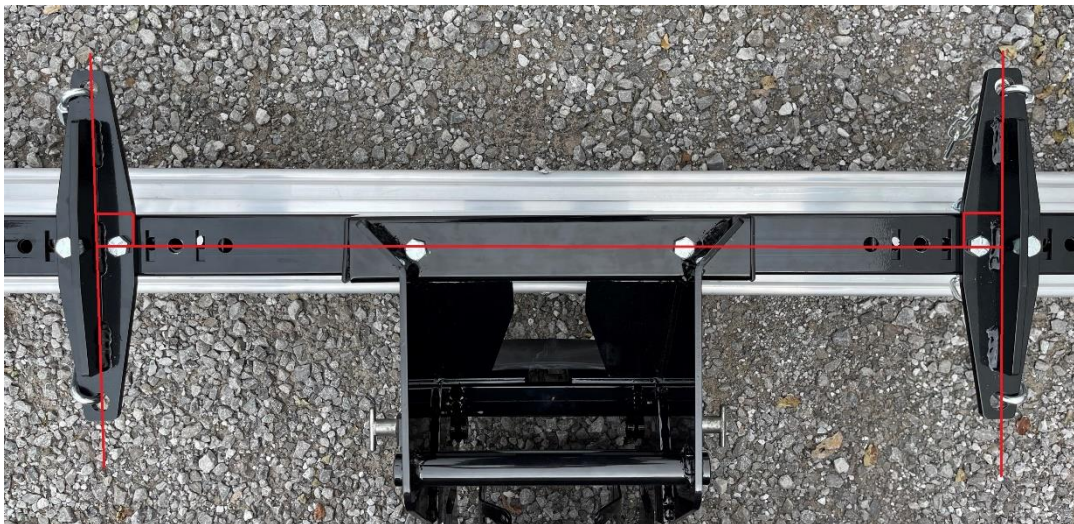
As mentioned previously Bracket E features lifters in each end which can quickly raise and lower the sweeper. These should only be used to lift and lower the sweeper and should not be used to suspend the magnet assembly.

Rope should be tight when not adjusting height, but not holding weight of sweeper



Chain supports weight of sweeper while sweeping

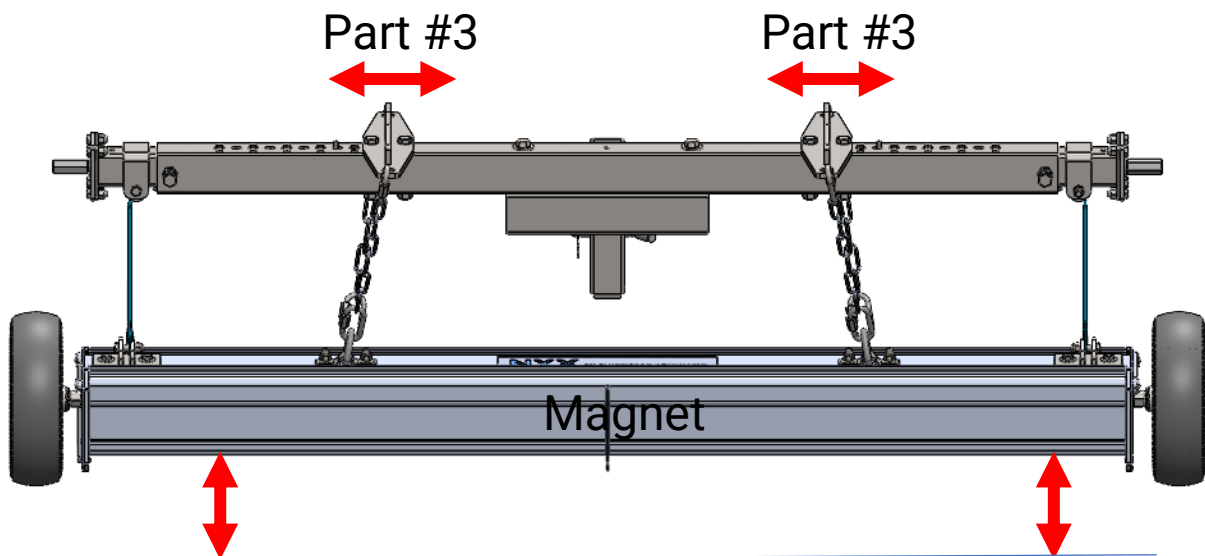
The Chain Hangers on the Hanging Bracket E should always be perpendicular (90 degrees) to the center tube of the Bracket.



Helpful Tips



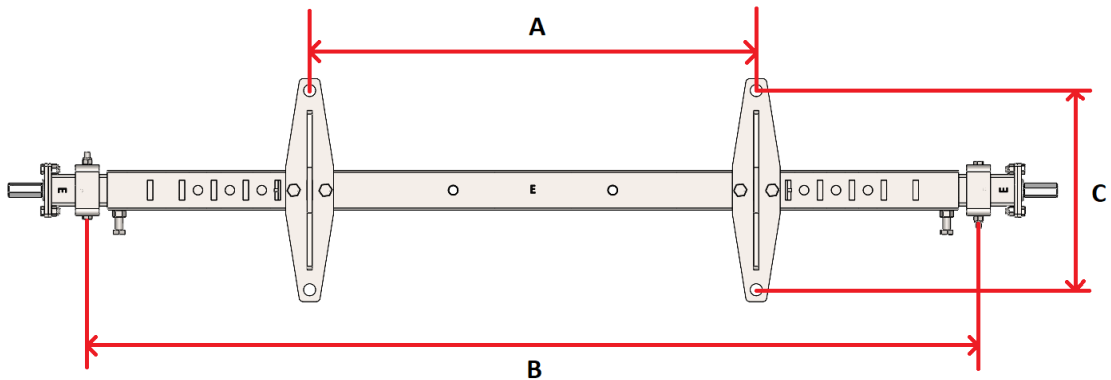
Tip #2: Suspend the Sweeper with the chains all positioned so they are on the outside of the Steel Mounting Plates as shown above.



Tip #3: The Ground Clearance can be fine-tuned by changing the locations of the Steel Mounting Plates (Part #3) inward or outwards, to ensure your magnet is perfectly level with the ground. It is also possible your vehicle or receiver hitch (if used) may not be perfectly level in all directions. You can also increase/decrease the sweep height by moving the quick links up or down on the chain links provided.

Critical Hanging Bracket E Dimensions

Assemble the Bracket according to the table presented below. Select the model of Magnetic Sweeper you purchased and assemble the bracket to these dimensions. If the exact measurement is not available adjust to the nearest size.



Hanging Sweeper Model	Size	Dimension A	Dimension B (Center to Center of Ropes)	Dimension C
Eiger 3x3	62	26	57	12.5
Eiger 3x3	74	32	69	12.5
Eiger 3x3	86	38	81	12.5
Eiger 3x3	98	44	93	12.5
Eiger 4.5x4.5	62	26	57	12.5
Eiger 4.5x4.5	74	32	69	12.5
Eiger 4.5x4.5	86	38	81	12.5
Eiger 4.5x4.5	98	44	93	12.5
Nyx	62	26	57	12.5
Nyx	74	32	69	12.5
Nyx	86	38	81	12.5
Nyx	98	44	93	12.5

Critical Hanging Bracket E Dimensions

Hanging Sweeper Model	Size	Dimension A	Dimension B (Center to Center of Ropes)	Dimension C
Pyr 3x3	62	26	57	12.5
Pyr 3x3	74	32	69	12.5
Pyr 3x3	86	38	81	12.5
Pyr 3x3	98	44	93	12.5
Pyr 4.5x4.5	62	26	57	12.5
Pyr 4.5x4.5	74	32	69	12.5
Pyr 4.5x4.5	86	38	81	12.5
Pyr 4.5x4.5	98	44	93	12.5